

FNAME

REVDATE

USER

FNAME

REVDATE

USER

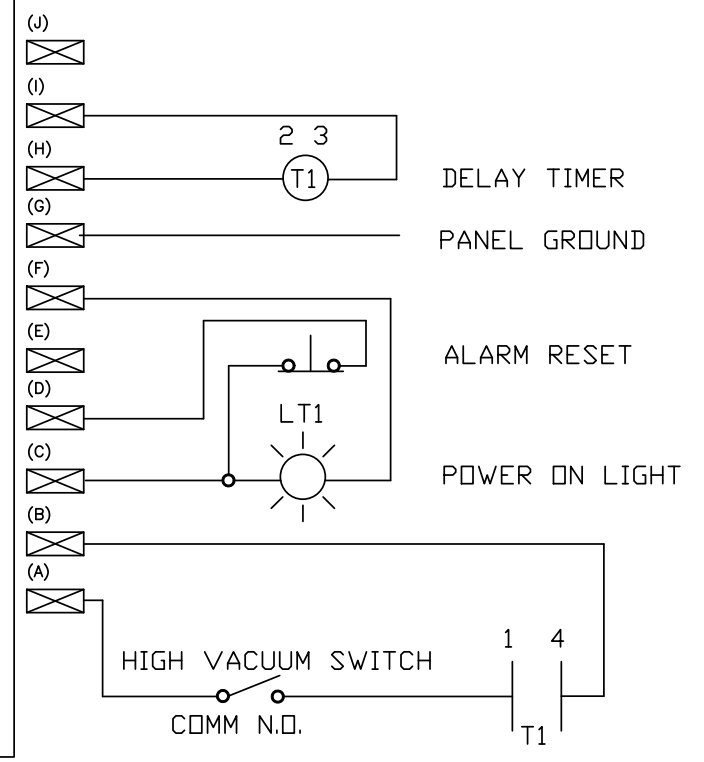
REVISIONS				
ZONE	REV	DESCRIPTION	DATE	APPROVED
	1	CHANGE MODEL NUMBER	03/10/09	RAH

TERMINAL BOARD TB1- BLACK  
 CUSTOMER CONNECTIONS  
 TERMINAL BOARD SCREW TORQUE  
 3.1/2 TO 4 4/10 INCH POUNDS

PCB PART NUMBER HVSDS

PHOENIX CONNECTOR

- (12) SPARE
- (11) SPARE
- (10) SPARE
- (9) ALARM CIRCUIT RELAY- N.O.
- (8) ALARM CIRCUIT RELAY- N.C.
- (7) ALARM CIRCUIT RELAY- COMM
- (6) MOTOR COIL CIRCUIT- L2 OR NEUTRAL
- (5) MOTOR COIL CIRCUIT- TO COIL
- (4) MOTOR COIL CIRCUIT- HOT
- (3) PCB POWER GROUND
- (2) PCB POWER L2
- (1) PCB POWER L1



**GENERAL NOTES**

—○— DENOTES CONNECTION  
 <50> DENOTES PANEL TERMINAL BLOCK #  
 LEAD P/S DENOTES DEVICE  
 ——— DENOTES EXTERNAL TO PANEL

MAIN DISCONNECT AND OVER CURRENT PROTECTION  
 TO BE SUPPLIED BY OTHERS AS PER THE  
 CURRENT EDITION OF THE N.E.C.

POWER DISTRIBUTION  
 CUSTOMER SUPPLIED 115/1/60 V.A.C.  
 OR 220/1/50 V.A.C.  
 FROM PUMP CONTROLLER  
 8 A - MAXIMUM

CAUTION: CUSTOMER TO VERIFY INPUT POWER  
 AND PROPERLY SET THE SLIDE SWITCH. (115 OR 220)  
 FAILURE TO DO SO MAY RESULT IN PERSONNEL  
 INJURY, DAMAGE TO PANEL OR DEATH.

FUSE - F1 . LITTLEFUSE 313.001P  
 1 AMP, 250 V.A.C..

INPUT POWER SLIDE SWITCH - S1  
 SWITCH UP - 115/1/60  
 SWITCH DOWN - 220/1/50

TB 4, TB 6 - MOTOR CONTROL CIRCUIT (COIL)  
 MINIMUM VOLTAGE 115 V.A.C  
 MAXIMUM VOLTAGE 230 V.A.C.

PUMP CONTROL PCB CONNECTIONS VAC ALERT MODEL NUMBER PSAC-1-8		<b>VAC-ALERT IND., L.L.C.</b>			
		4505 PROSPERITY DRIVE FORT PIERCE, FLORIDA 34981		PHONE 800-374-7405 FAX 707-576-8286	
CUSTOMER:	SIZE	MSH JOB NO.:	DWG NO.	TITLE:	REV
PROPRIETARY: THIS DOCUMENT IS ISSUED IN STRICT CONFIDENCE THAT IT NOT BE COPIED, REPRINTED, OR DISCLOSED TO A THIRD PARTY, WHOLLY OR IN PART WITHOUT WRITTEN CONSENT OF VAC-ALERT INDUSTRIES, L.L.C.		9125	1447	ELECTRICAL SCHEMATIC	1
SCALE NONE		08/14/07		SHEET 1 OF 1	